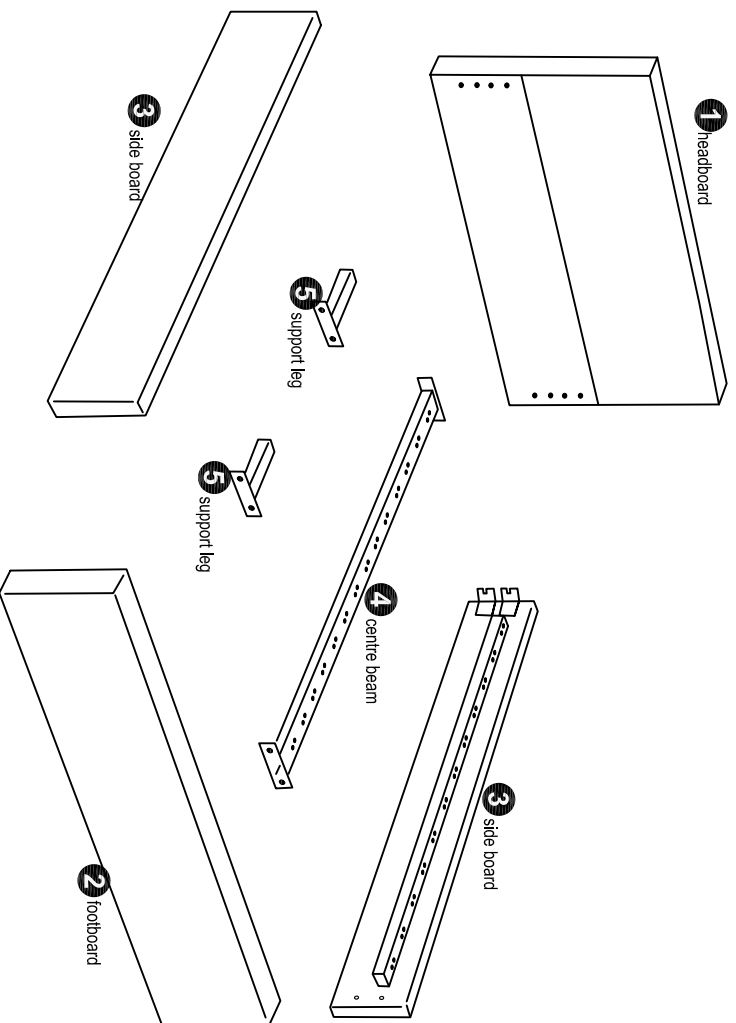


# Double 4ft6 Basic Bed Base

## Parts

The headboard diagram has been drawn for reference only.  
So please don't worry if it looks different to your headboard.



**6** x4 drawer wheels



**7** x26 slats



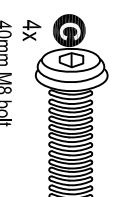
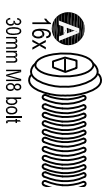
**8** x13 double cap



**9** x26 single cap



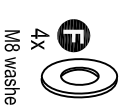
## Fittings



12x  
spring washer



12x  
M8 washer



4x  
M8 washer



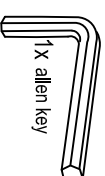
16x  
30mm M4 screw



2x  
support feet



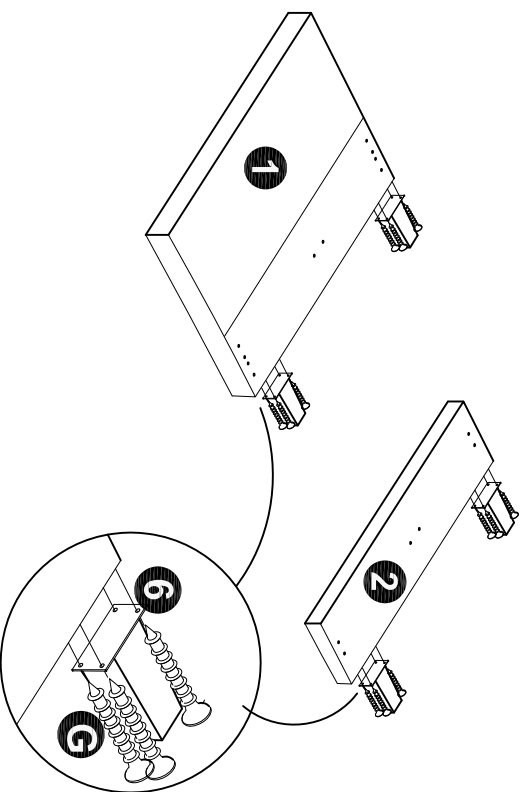
1x spanner



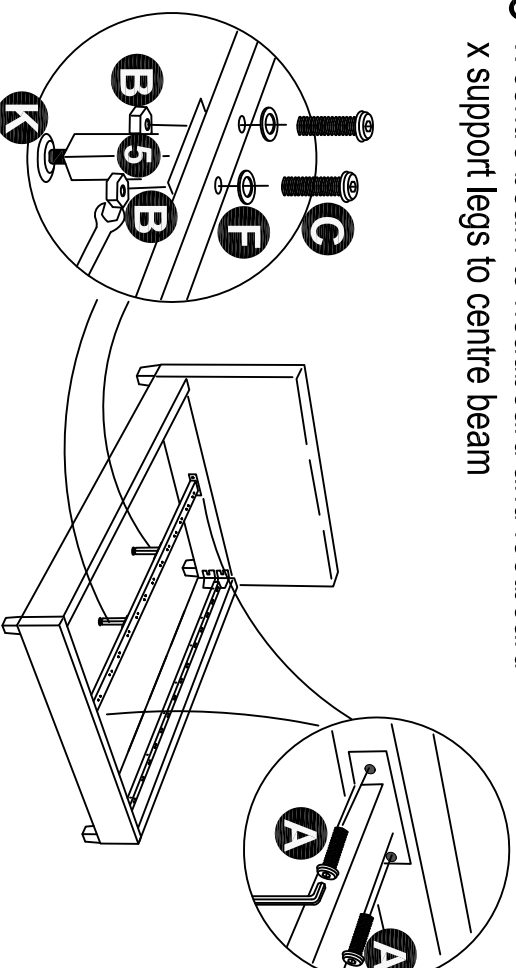
1x allen key

**Only hand tighten fixtures initially to allow flexibility for part alignment. Fully tighten all fixtures at the end when parts are in position.**

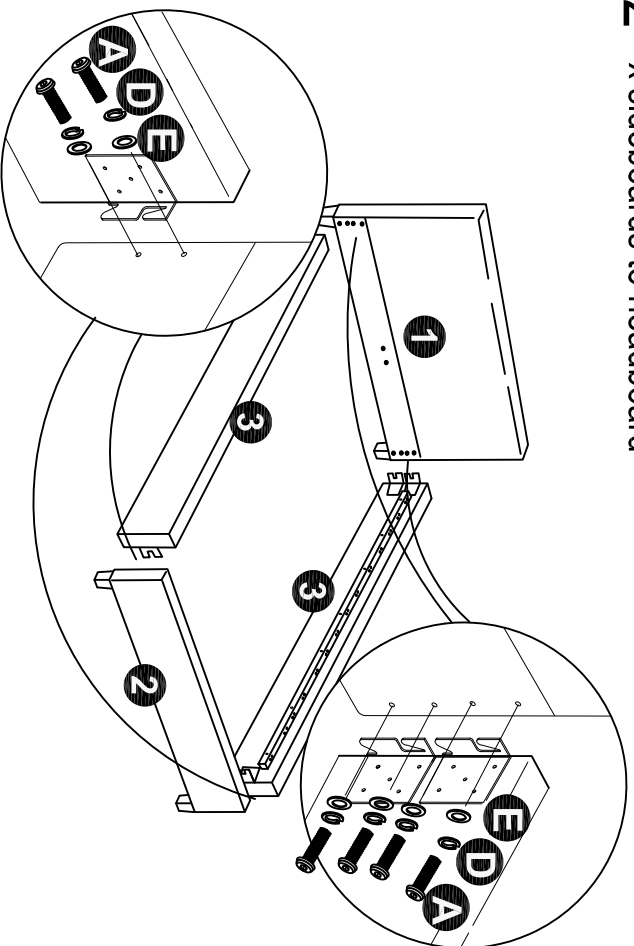
**1** fix the feet to the headboard and footboard



**3** x centre beam to headboard and footboard  
x support legs to centre beam



**2** x sideboards to headboard



**4** fix caps to ends of slats  
press caps into beam holes

